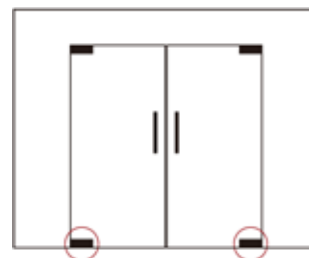
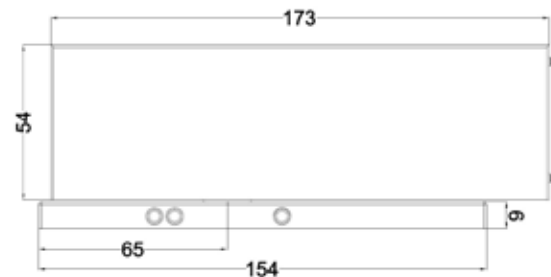


Product **APPLAUSE Floor Hinge (with damping function)**

Material **Steel Casted Body with Stainless Steel Cover**

Finish **Hairline**

Country of Origin **People's Republic of China**



Unit : piece

Features

Floor mounted by surface fixing (non-excavating)

Reduce time and cost taken by installation

Suitable for 10-13.5mm tempered glass use

Maximum door leaf weight: 100kg

Maximum door leaf width: 1050mm

Self-closing when door is closed to 85°

Double action, maximum door open angle: 125°

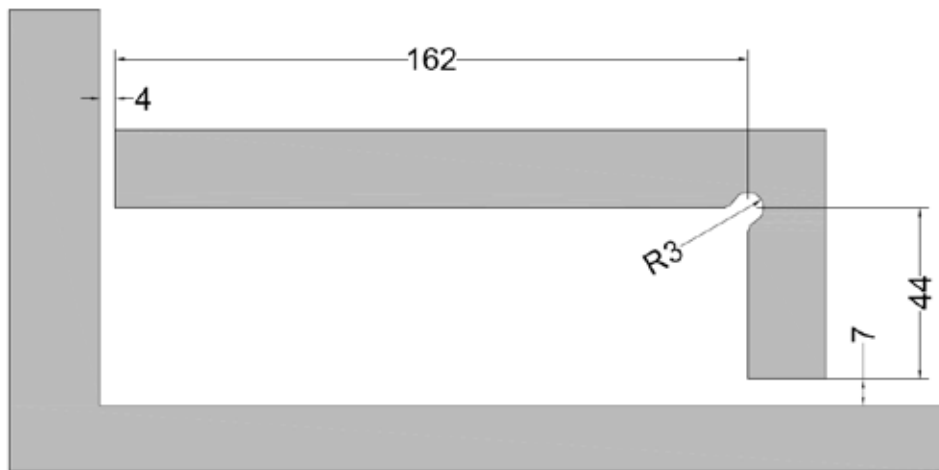
Hold-open at door open angle 90°

Valve adjustment available for closing speed control

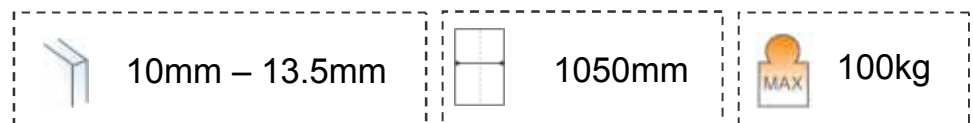
Self-positioned when door reaches to initial position

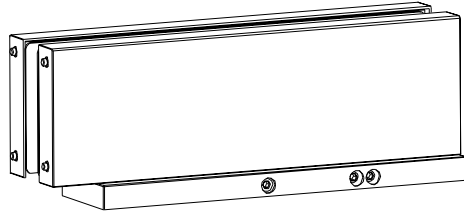
Glass Cut-out: TJ23

➤ APPLAUSE Floor Hinge (Frameless)

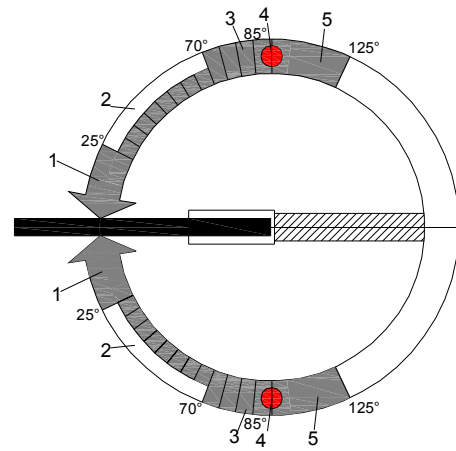


➤ Suitable for:



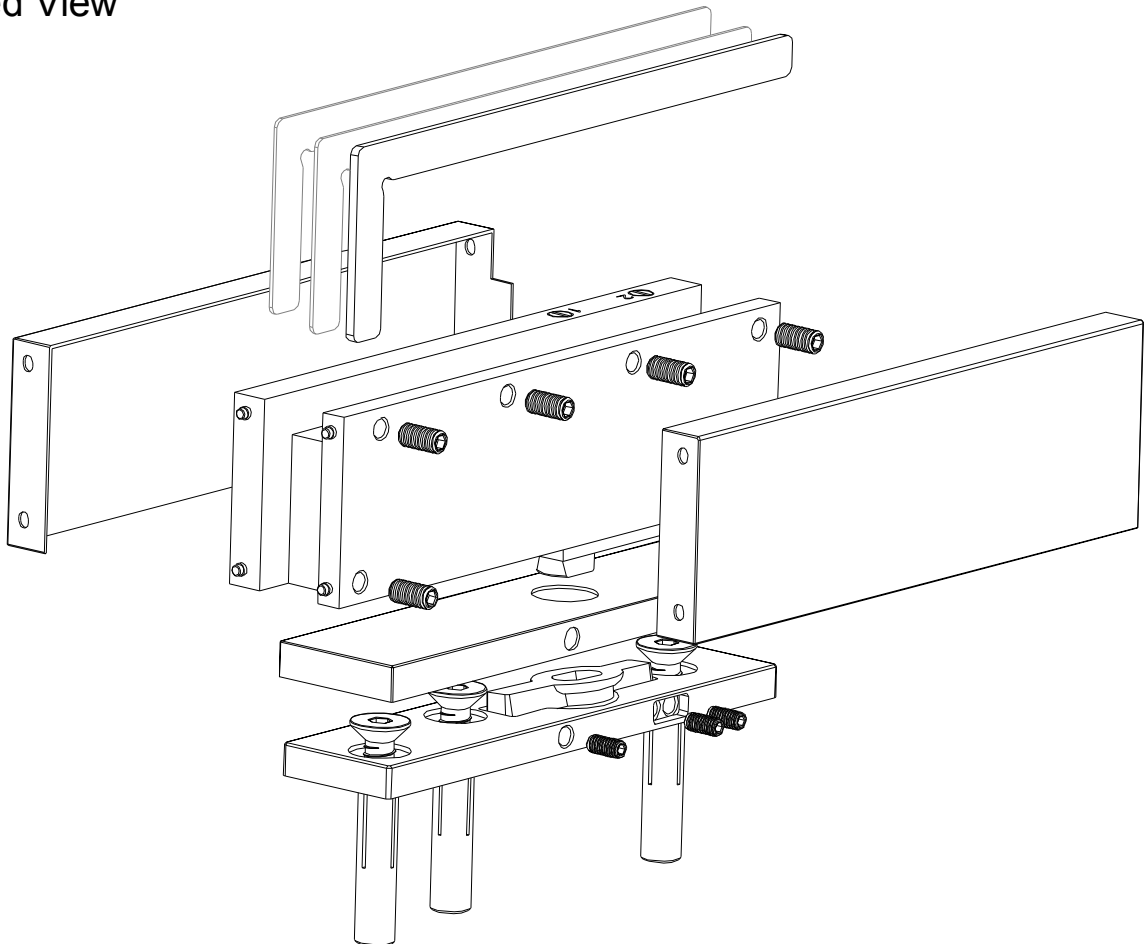


**APPLAUSE FLOOR HINGE
(FRAMELESS)**

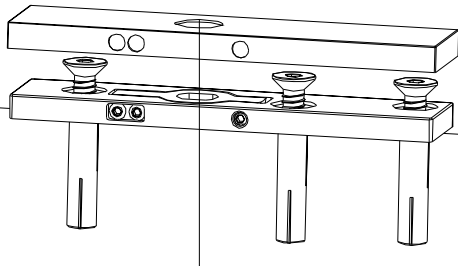


1. Closing range: 25°-0° (adjusted by valve 2)
2. Closing range: 70°-25° (adjusted by valve 1)
3. Closing range: 85°-70° (non-adjustable)
4. Hold-open : 90°
5. Open angle : 125° (maximum)

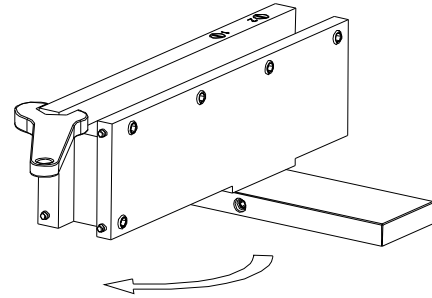
Exploded View



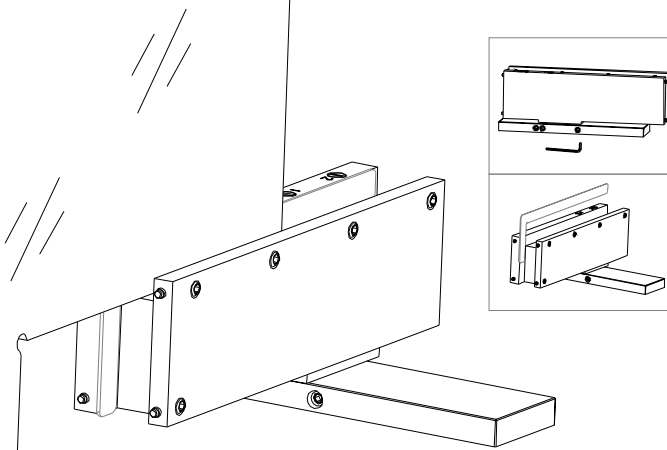
Tj109E.100



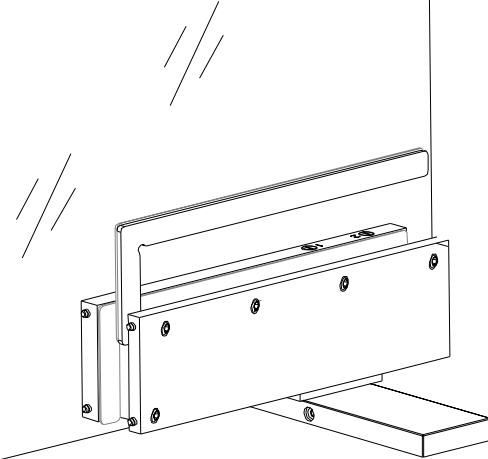
1. Determine the position of floor hinge to be installed and ensure the horizontal position of base seat. Install the cover plate after base seat is fixed.



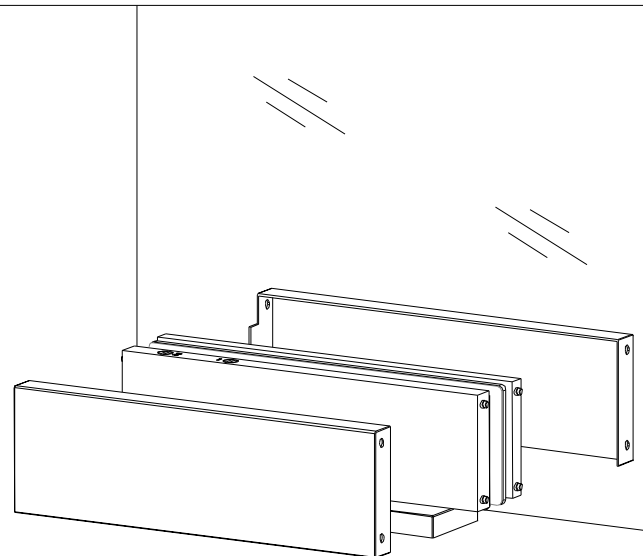
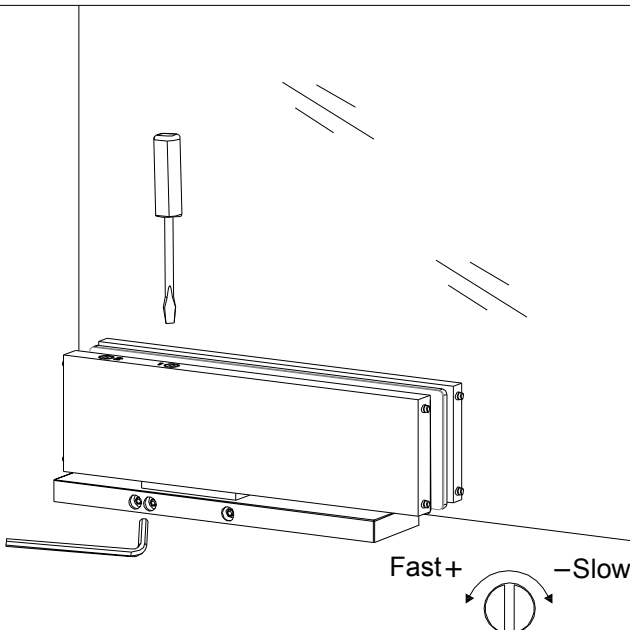
2. Untighten the set screws and make sure inner surface is flat before install. Turn the hinge to open position 90°.

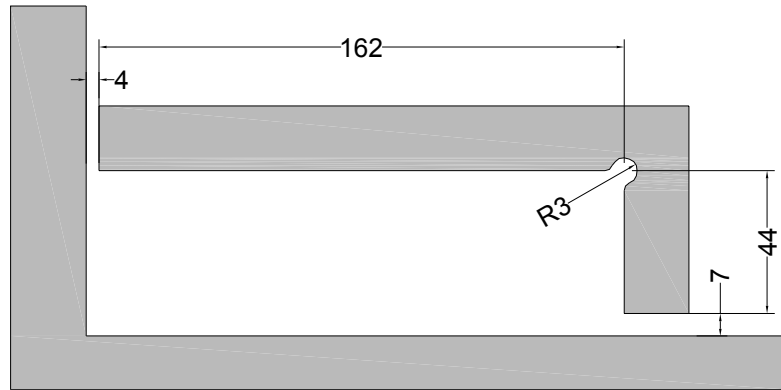


3. Fix the top patch onto door panel, insert the door onto hinge. At this step, the alignment screws on base seat should be loosen.

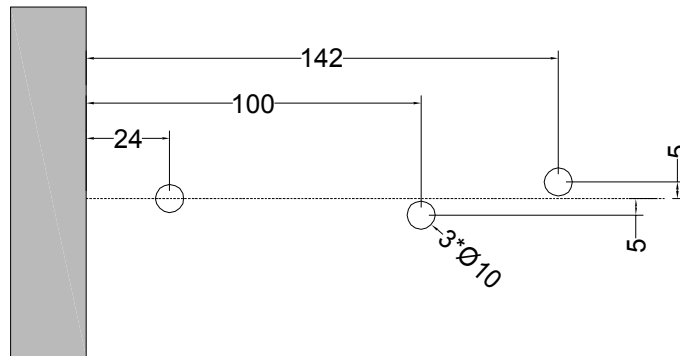


4. Insert gaskets and tightened the sets screws. Set screws should be mounted onto metal gasket directly.

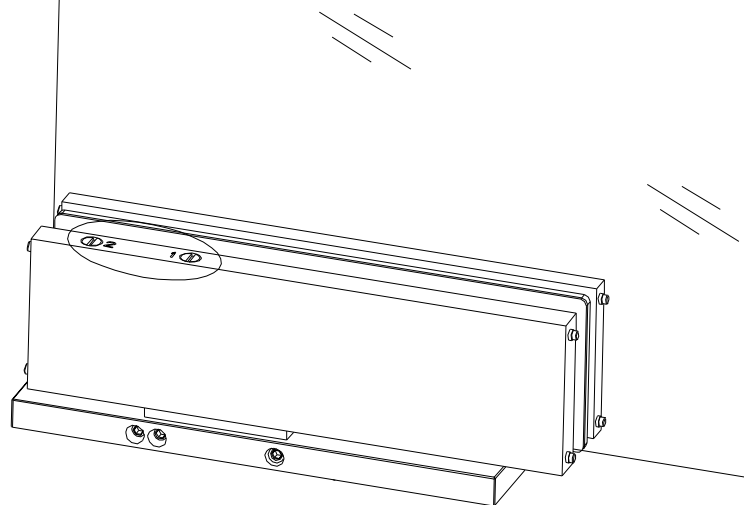
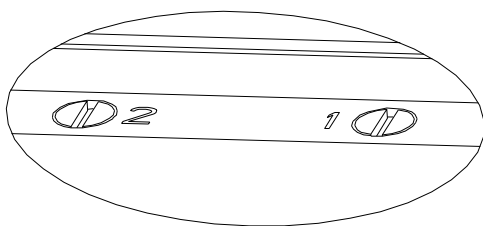




Drilling Positions on Ground



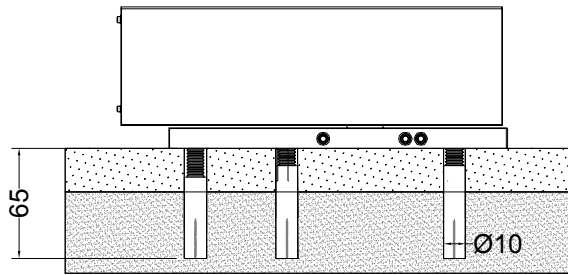
Adjustment of Closing Speed



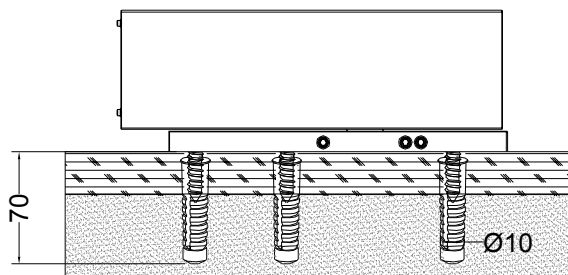
1/4 cycles is recommended for the range of adjustment each time.

Precaution: Be careful not to loosen off the adjustment screw too far as this will render the hinge inoperable. Warranties will also be void if screw is loosened too far.

Tj109E.100



Scenario: concrete floor
Fixing components: expansion screws



Scenario: wood flooring
Fixing components: wood screws with anchors

Application of Gaskets

Thickness of Door	10mm	12mm	13.5mm
Gasket Use	6 pcs	4 pcs	2 pcs

Dimension Drawing

