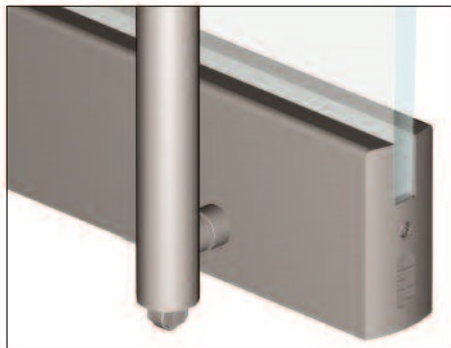




Panic exit device PA110 מגגנון בהלה PA110



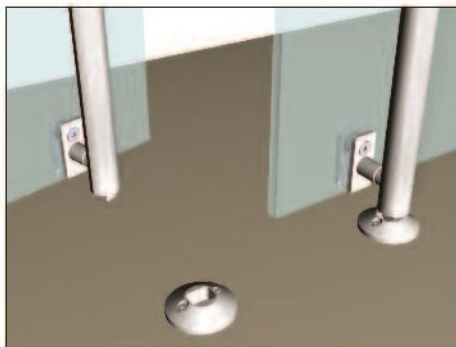
Glass Mount Detail at Latch



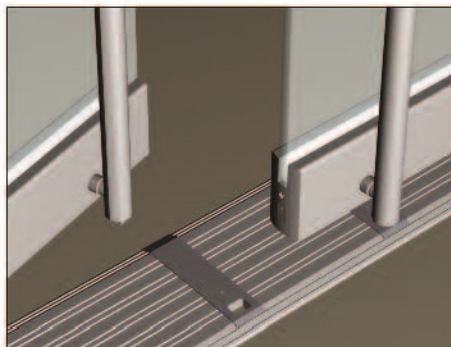
Rail Mount Detail at Latch



Keyed Access



Glass Mount Detail at Latch With Floor Mount Ramp Strike



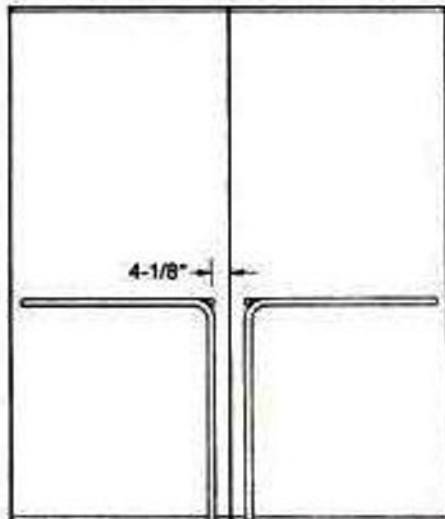
Rail Mount Detail at Latch With Threshold Ramp Strike



Retainer Plate



מנגנון בהלה PA110
 (BLUMCRAFT)



HARDWARE IS FABRICATED FROM 1-1/4" DIAMETER STAINLESS STEEL OR ARCHITECTURAL BRONZE TUBING IN SATIN OR HIGHLY POLISHED FINISHES. STATUARY BRONZE AND POWDER COATED FINISHES ALSO AVAILABLE

CAUTION
Threshold Ramp Strike is Recommended
Floor Mounted Ramp Strike Could be a Tripping Hazard

- H-110A PANIC DEVICE [SHOWN]
- DB-110A DEADBOLT HOUSING [SHOWN]
- DH-110A DUMMY HOUSING

