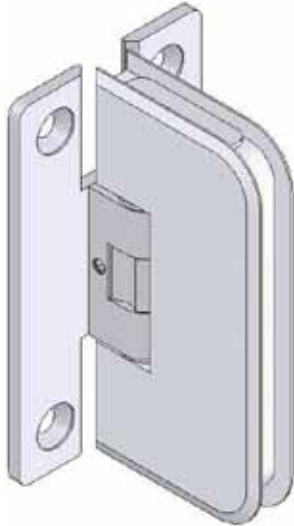




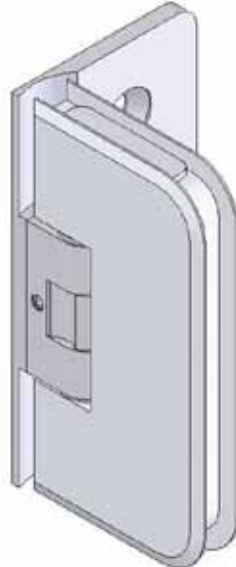
**INTERIOR / EXTERIOR FLUSH SURFACE HINGE
 VISIOSTAR RANGE**

For glass thickness 8 mm
 Maximum width of pane 800mm
 Maximum weight of pane 35kg

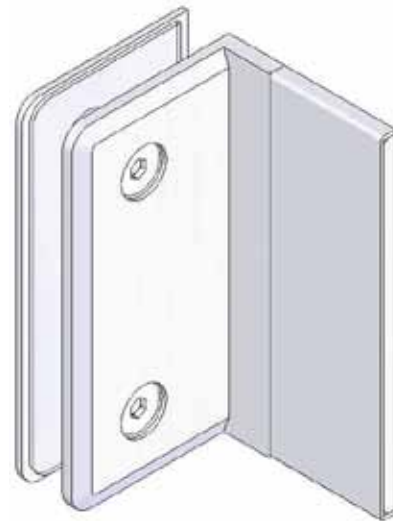
WALL - GLASS MODELS:



WALL HINGE
 2 FIXING WALL PLATES
 CS0M

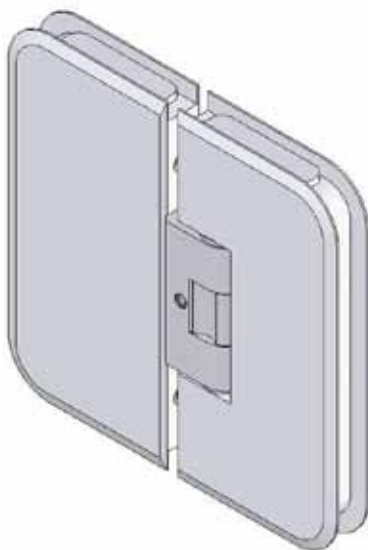


WALL HINGE
 1 FIXING WALL PLATE
 CS2M



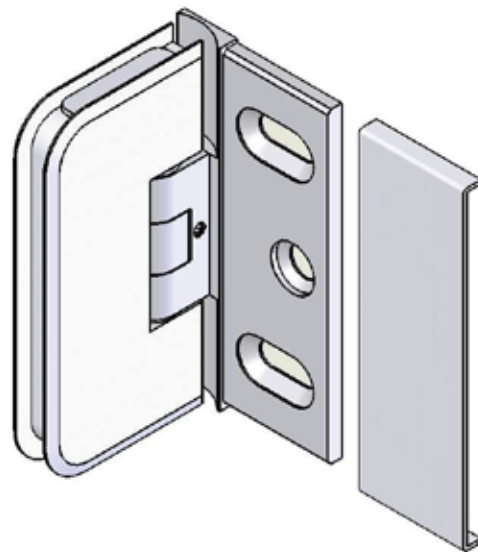
FITTING FOR FIXED PANE
 WALL PLATE WITH LONG HOLES
 AND COVER
 CS7M

GLASS - GLASS MODEL:



GLASS-GLASS HINGE
 CS1M

OPTION

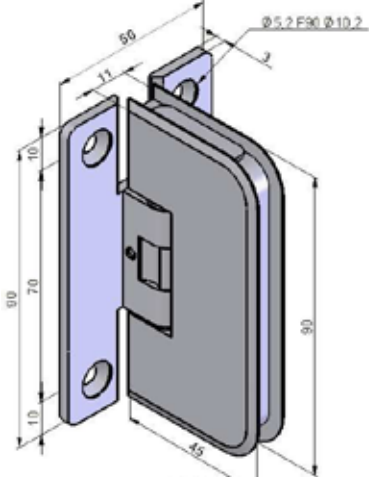


WALL HINGE
 WALL PLATE WITH LONG HOLES AND COVER
 CS2MH

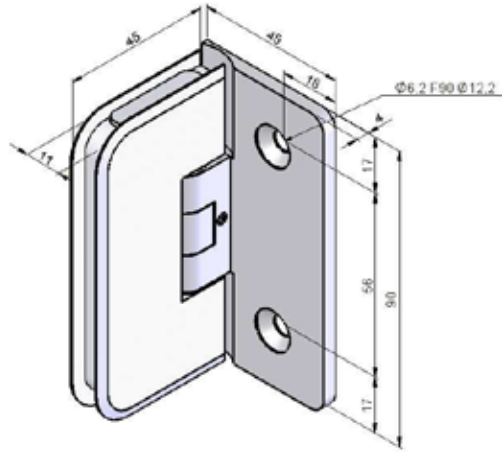




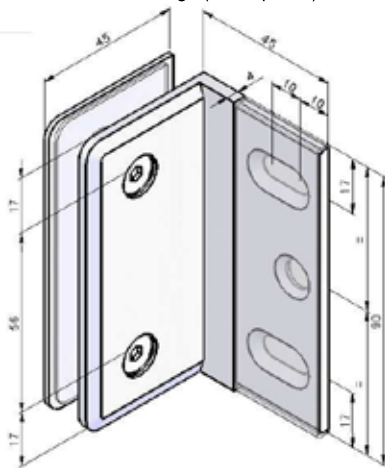
**INTERIOR / EXTERIOR FLUSH SURFACE HINGE
 VISIOSTAR RANGE / Thickness 8mm**



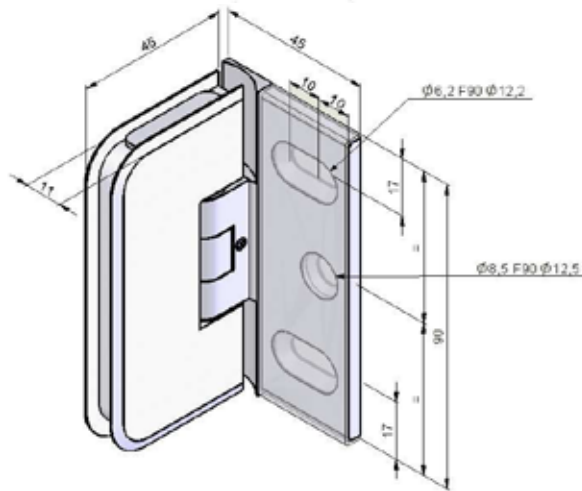
CS0M
 Wall hinge (2 wall plates)



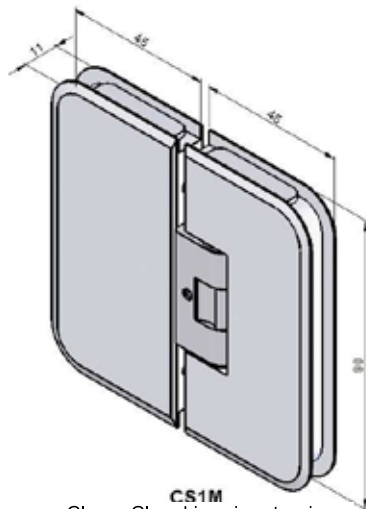
CS2M
 Wall hinge (1 wall plate)



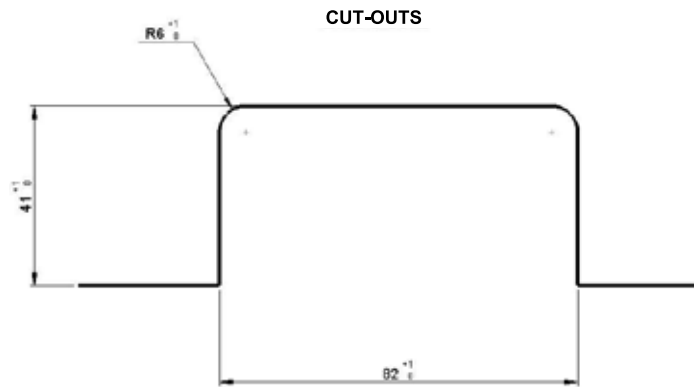
CS7M
 Fitting for fixed pane at 90°



CS2MH
 Wall hinge (1 wall plate with cover)

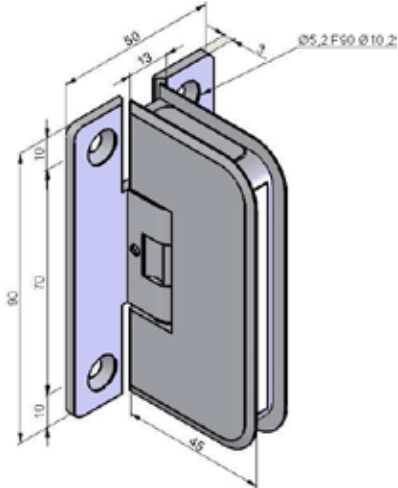


CS1M
 Glass - Glass hinge in extension

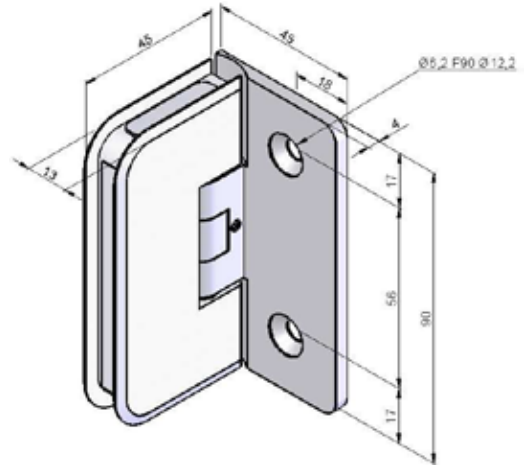




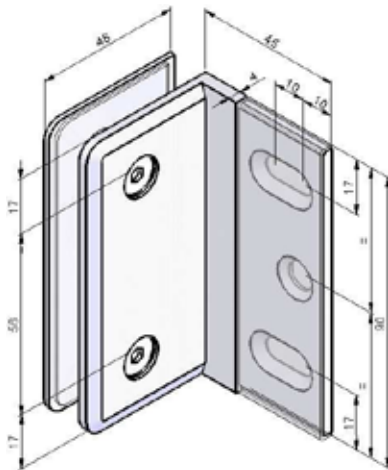
**INTERIOR / EXTERIOR FLUSH SURFACE HINGE
VISIOSTAR RANGE / Thickness 10mm**



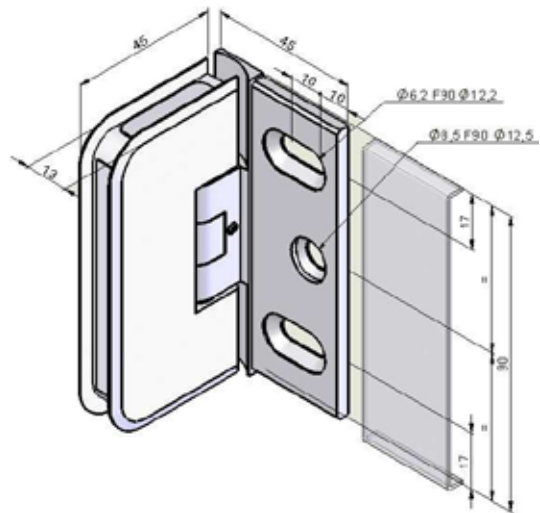
CS0M/10 : Wall hinge (2 wall plates)



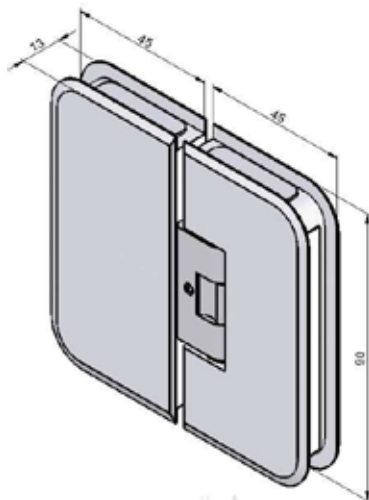
CS2M/10 : Wall hinge (1 wall plate)



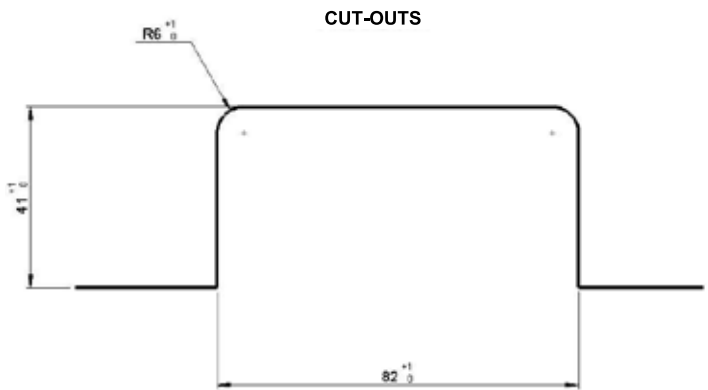
CS7M : Fitting for fixed pane at 90°



CS2MH/10 : Wall hinge (1 wall plate with cover)



CS1M/10 : Glass - Glass hinge in extension

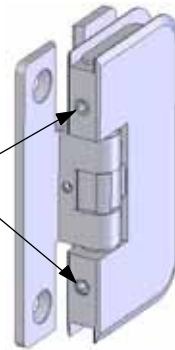


INSTALLATION INSTRUCTIONS FOR VISIOSTAR RANGE

MOUNTING OF WALL HINGE TYPE: CS0M & CS2M :

1 - Fold the hinge as shown below to reach the tightening screws located on the hinge edge.

2 hexagon headless screws,
Use the 3mm key provided for.



2 - When mounting hinge into glass notch, be careful not to drop tightening parts used for hinge fixing

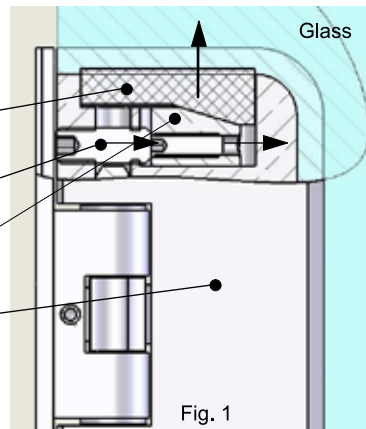
3 - Screw down the 2 hexagon screws (with 3mm key)

Nylon tightening part
in contact with glass

Hexagon tightening screws
(3mm key)

Wedge

Hinge

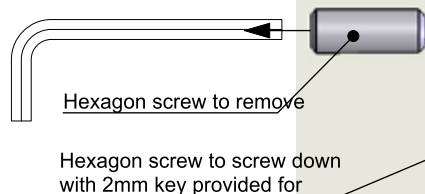


4 - Fix the hinge on wall with appropriate wall screws

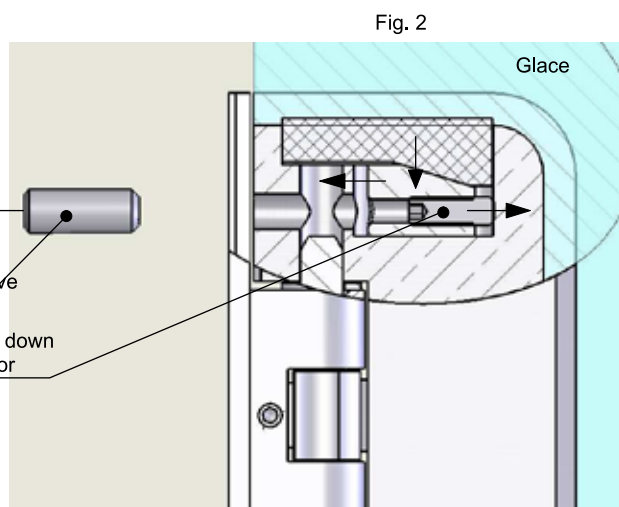
DISMOUNTING OF WALL HINGES TYPE CS0M & CS2M :

1 - Remove the hexagon screw with 3mm key

2 - With 2mm key, screw down the loosening screw located in the wedge to be able to dismount hinge from glass.



Careful : to remount the hinge after dismounting it, be careful to unscrew the loosening screw until it goes into the wedge (See: Fig.1)



MOUNTING OF GLASS-GLASS HINGE TYPE: CS1M :

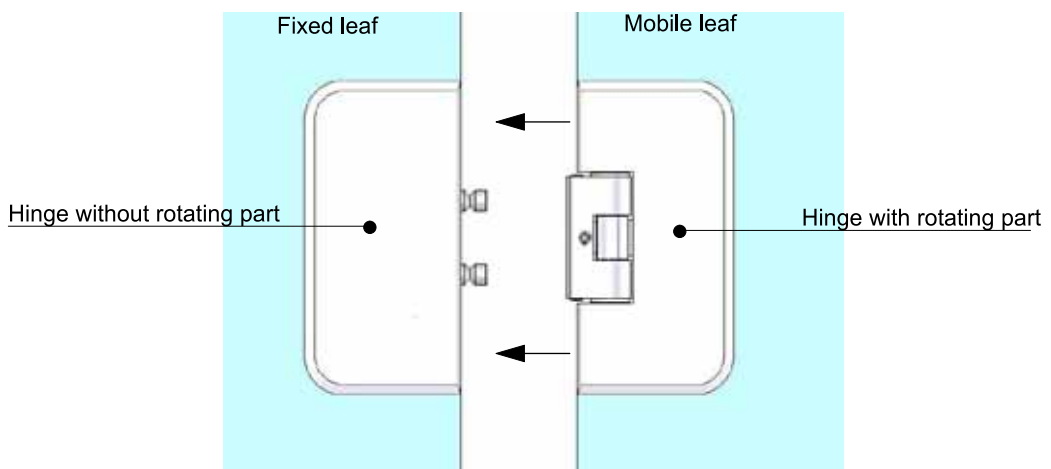
The hinge CS1M is composed of 2 parts :

- one piece without rotating part to install on the fixed leaf
- one piece with rotating part to install on the mobile leaf

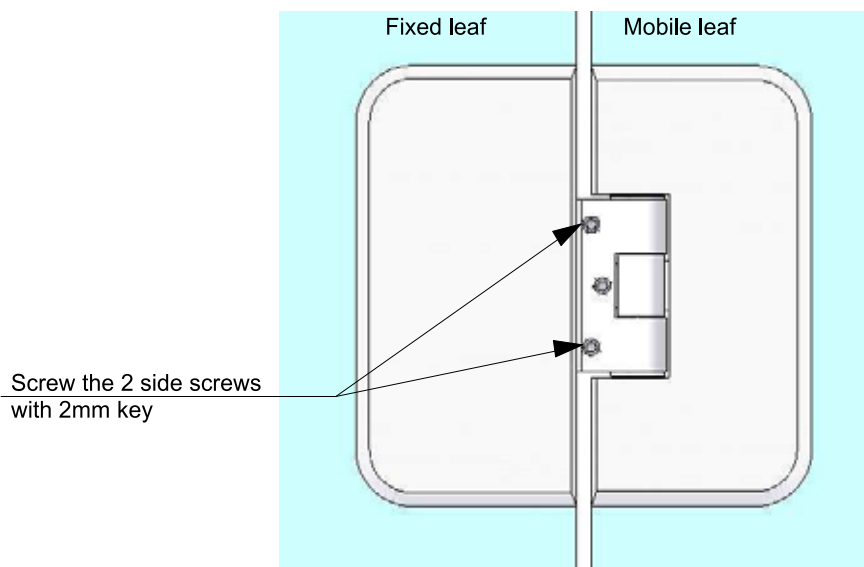
1 - Mount the piece without rotating part on the fixed leaf following mounting instructions Point 3 for CS0M and CS2M models.

2 - Install the mobile part on the hinge on the mobile leaf without fixing it.

3 - Put the 2 pieces together



4 - Screw the 2 side screws with 2mm key



5 - Rotate the hinge at 90° and fix the hinge with rotating part on the mobile leaf following mounting instructions Point 3 of CS0M & CS2M.

PRINCIPLE OF ADJUSTMENT SCREW

Like the hinges from the STARSHOWER range, VISIOSTAR have got an adjustment screw to adjust $\pm 5^\circ$ after door is install to compensate possible support defects.

